

OVERLOAD RELAY 50...200 A FOR MOTOR
PROTECTION SIZE S6,
CLASS 10 MOUNT. ONTO CONT./ STAND-ALONE MAIN
CIRCUIT: THROUGH TRANSF. AUX. CIRCUIT: SCREW
CONNECTION MANUAL-AUTOMATIC-RESET



General technical data:

product brand name		SIRIUS
Product designation		solid-state overload relay
Size of overload relay		S6
Number of poles / for main current circuit		3
Product function / removable terminal for auxiliary and control circuit		Yes
Surge voltage resistance / Rated value	kV	8
Protection class IP / on the front		IP20
Protection against electrical shock		finger-safe
Installation altitude / at height above sea level / maximum	m	2,000
Shock resistance		15g / 11 ms
Ambient temperature		
• during transport	°C	-40 ... +80
• during storage	°C	-40 ... +80
• during operation	°C	-25 ... +60
Relative humidity / during operation / maximum	%	100
Electrostatic discharge / acc. to IEC 61000-4-2		6 kV contact discharge / 8 kV air discharge
Field-bound parasitic coupling / acc. to IEC 61000-4-3		10 V/m
Conducted interference BURST / acc. to IEC 61000-4-4		2 kV (power ports), 1 kV (signal ports) corresponds to degree of severity 3

Conducted interference conductor-earth SURGE / acc. to IEC 61000-4-5		2 kV (line to earth) corresponds to degree of severity 3
Conducted interference conductor-conductor SURGE / acc. to IEC 61000-4-5		1 kV (line to line) corresponds to degree of severity 3
Type of protection		PTB 06 ATEX 3001 Ex II (2) GD
Active power loss / total / typical	W	0.05
Size of contactor / can be combined / company-specific		S6

Main circuit:

Type of assignment

2

Auxiliary circuit:

Number of NC contacts / for auxiliary contacts

1

Number of NO contacts / for auxiliary contacts

1

Number of CO contacts / for auxiliary contacts

0

Design of the fuse link / for short-circuit protection of the auxiliary switch / required

fuse gL/gG: 6 A

Operating current / of the auxiliary contacts

• at AC-15

• at 24 V

A

4

• at 110 V

A

4

• at 120 V

A

4

• at 125 V

A

4

• at 230 V

A

3

• at DC-13

• at 24 V

A

2

• at 60 V

A

0.55

• at 110 V

A

0.3

• at 125 V

A

0.3

• at 220 V

A

0.11

Protective and monitoring functions:

Trip class

CLASS 10

Adjustable response value current / of the current-dependent overload release

A

50 ... 200

Installation/ mounting/ dimensions:

Mounting type

direct mounting / stand-alone installation

mounting position

any

Depth

mm

155

Height

mm

119

Width

mm

120

Connections/ terminals:

Design of the electrical connection

- for main current circuit
- for auxiliary and control current circuit

straight-through transformers
screw-type terminals

Type of connectable conductor cross-section

- for auxiliary contacts
 - solid
 - finely stranded
 - with core end processing
- for AWG conductors / for auxiliary contacts

0.5 ... 4 mm², 2x (0.5 ... 2.5 mm²)

0.5 ... 2.5 mm², 2x (0.5 ... 1.5 mm²)

2x (20 ... 14)

Certificates/ approvals:

General Product Approval

EMC

For use in hazardous locations



CCC



CSA



UL



C-TICK



ATEX

Test Certificates

[Special Test Certificate](#)

[Type Test Certificates/Test Report](#)

Shipping Approval



ABS



DNV



GL



LRS



RINA

other

[Declaration of Conformity](#)

[other](#)

[Environmental Confirmations](#)

Further information:

Information- and Downloadcenter (Catalogs, Brochures,...)

<http://www.siemens.com/industrial-controls/catalogs>

Industry Mall (Online ordering system)

<http://www.siemens.com/industrial-controls/mall>

Cax online generator

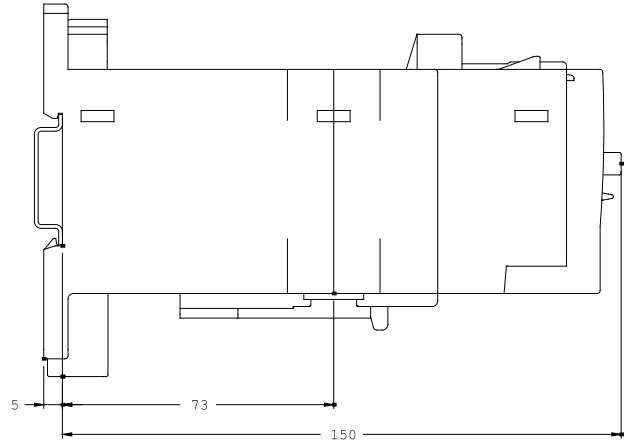
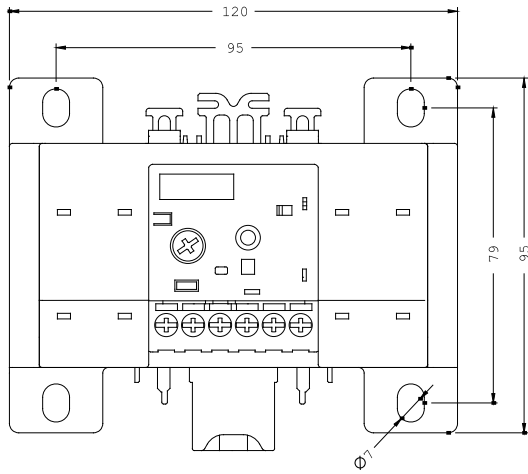
<http://www.siemens.com/cax>

Service&Support (Manuals, Certificates, Characteristics, FAQs,...)

<http://support.automation.siemens.com/WW/view/en/3RB2056-1FW2/all>

Image database (product images, 2D dimension drawings, 3D models, device circuit diagrams, ...)

http://www.automation.siemens.com/bilddb/cax_en.aspx?mlfb=3RB2056-1FW2



last change:

Dec 8, 2014